



ZP755BV-3

Addressable sensor base sounder/beacon

Audible and visual warning from a single unit

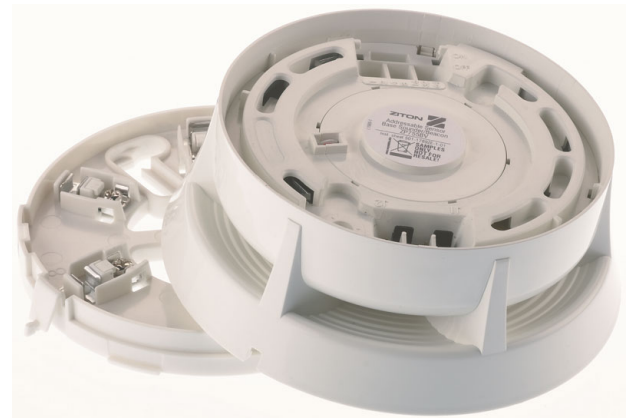
The ZP755BV-3 combines sensor base, audible sounder and high intensity beacon in a single stylish moulding. It offers both audible and visual warnings from a single, addressable, loop wired unit. Providing an elegant solution for areas where the installation of separate sensor, sounder and beacon would prove expensive, both in equipment capital value and system wiring costs, the unit meets the requirements of most local disability legislation. Installation time is further reduced, as the moulding plugs directly onto a first fix base – eliminating the need for any internal connections. The ZP755BV-3 is perfectly suited for any location involving high levels of background noise.

Low current sound gun and visual element

Independent addressing for the sensor and alarm facilities is featured, with sound levels conforming to EN54 Part 3 and clear visual indication provided by a high intensity Light Emitting Diode (LED) array, positioned inside the base moulding. High efficiency acoustic design, a low energy sound gun transducer and a low current visual element, enables, up to 40 sensor sounder beacon combinations to be connected to a one kilometre loop of 1.5mm² cable, with a wiring run of 50 metres to the first device. The range features a unique self test facility - automatically activated during routine sounder testing. A built in microphone circuit measures sound output and automatically signals the sounder address and location to the control panel, should the output test fail.

External power supply option

ZP755BV-3 can be used with other ZP loop equipment in any combined application subject to maximum loop loading. In systems where loop lengths or current requirements are excessive, ZP755BV-3 can be powered directly from an external power supply. With a sound output of 90 dbA, measured at 1 metre, continuous, intermittent and two-tone audible outputs are available. The volume setting can be reduced for areas where a lower sound level is required.



Standard Features

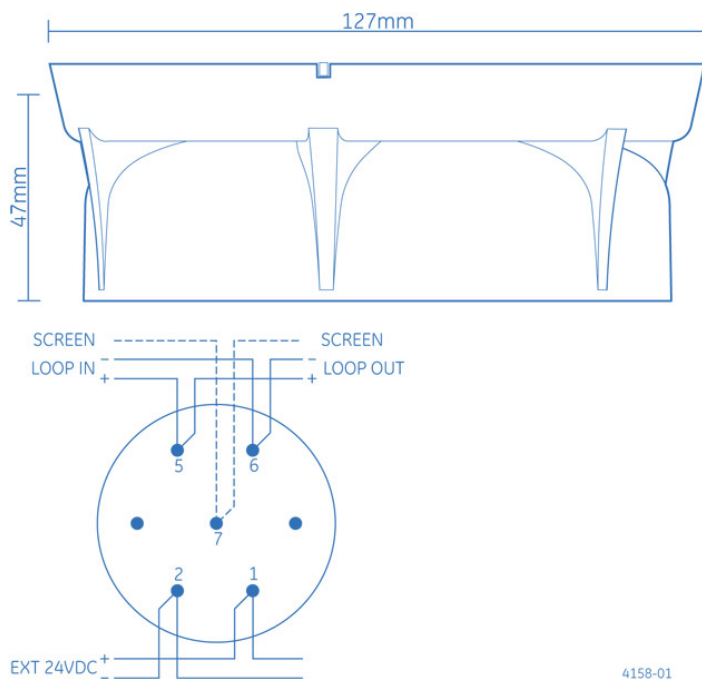
- Sensor, sounder and beacon from a single wiring point – minimising installation costs
- Powered directly from the ZP loop
- Separate addresses selectable for sensor and sounder beacon
- Up to 40 units directly on the loop
- High efficiency sound gun transducer
- Plug in base – no internal connections
- Wide range of international sound types and frequencies

ZP755BV-3

Addressable sensor base sounder/beacon

Specifications

Model No	ZP755BV-3
Specification	EN54 Part 3
Description	Addressable sensor base sounder/beacon
Compatibility	All ZP3 systems, note - sound options may vary for ZP5 and ZP3 systems with early software versions.
Mounting	Surface with plug in base - SPB-2W (White)
Wiring	2 core loop
Monitoring	Open and short circuit fault, sound output - self test facility
Sound output	90 dBA (at 1m)
Sound types	Continuous - 980 Hz, intermittent - 980 Hz 0.5 secs on/off, dual tone - 980/670 Hz 0.5 sec each. See installation sheet for full international tone range
Light source	Red LED array
Operating voltage	Loop 19.5 - 20.5 Vdc, external supply 18 - 30 Vdc
Light output	Less than 1J, frequency - flash rate 1.1 seconds
Current	500uA quiescent, 6mA active
Max number	40 per 1km loop (1.5mm ² cable, 50m to first device)
Application	Indoor installation
EN60529 rating	IP21C
Temperature range	-10°C to 55°C
Humidity range (at 40°C)	10% to 95% RH (non condensing)
EMC	CPD compliant
Material	Moulded thermoplastic
Dimensions	127mm (Dia) x 47mm (D)
Colour	White
Weight	218g (including base)
Publication No	PS1789



Ordering Information

Part No.	Description
ZP755BV-3	Addressable sensor base sounder/beacon

As a company of innovation, GE Security reserves the right to change product specifications without notice. For the latest product specifications, visit GE Security online or contact your GE Security sales representative.

IPS-ZP755BV-3-2007-07-24 12:15:49 Released : 24.07.2007

UK Sales: 8 Newmarket Court, Chippenham Drive, Kingston, Milton Keynes, MK10 0AQ, United Kingdom, Telephone +44 (0) 1908 281981, Fax +44 (0) 1908 282554
South Africa: Zitton House, 555 Voortrekker Road, Maitland, 7405, P.O. Box 181, Maitland, 7404, South Africa, Telephone +27 (0)21 506 6000, Fax +27 (0)21 506 6050